

X1 PRO GEN 3




CYCMOTOR

FEATURES

- Advanced torque sensing technology
- Ultimate ebike power up to 5kW
- Next generation electronics
- Instant PAS engagement
- Supreme compatibility
- Up to 250N.m. torque
- Supports 36V - 72V



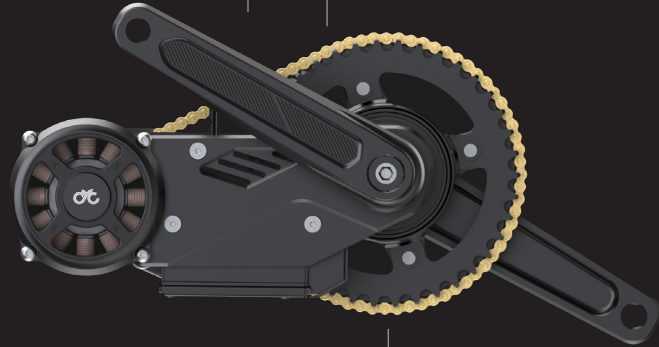
GET THE
CYC RIDE CONTROL
MOBILE APP NOW

OPTIONS

Crankarms:
165mm or 175mm

BSA Threaded Frames:
68-83mm, 100mm, & 120mm

Pressfit Frames:
>109mm (with adaptor)



Chainring:
32T with 52T motor chainring
38T with 63T motor chainring

QUICK START GUIDE

STEP 1



Scan the QR Code
to download the
user guide

STEP 2



Install the kit
using the user
guide as reference

STEP 3



Download the
CYC Ride Control
mobile app

STEP 4



RIDE!