

X1 STEALTH **2021**



Features

Customizable performance via mobile app

Integrated torque & cadence sensor.

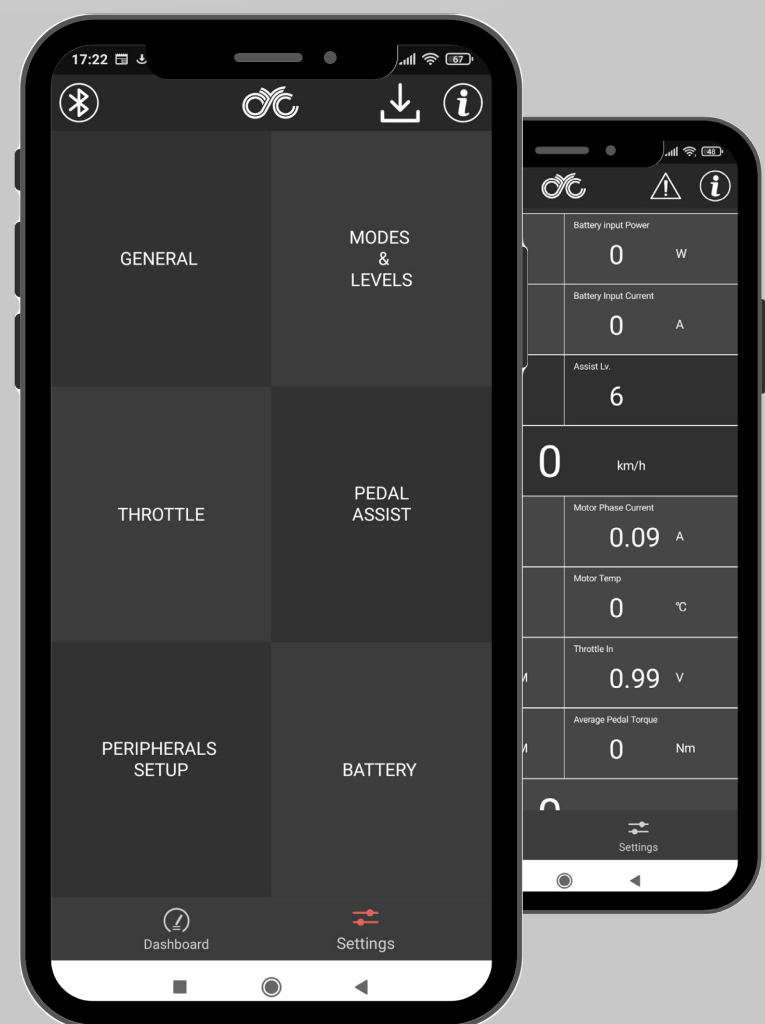
Various bottom bracket fitments

Lightweight and compact

36V to 72V compatible

1500W rated power

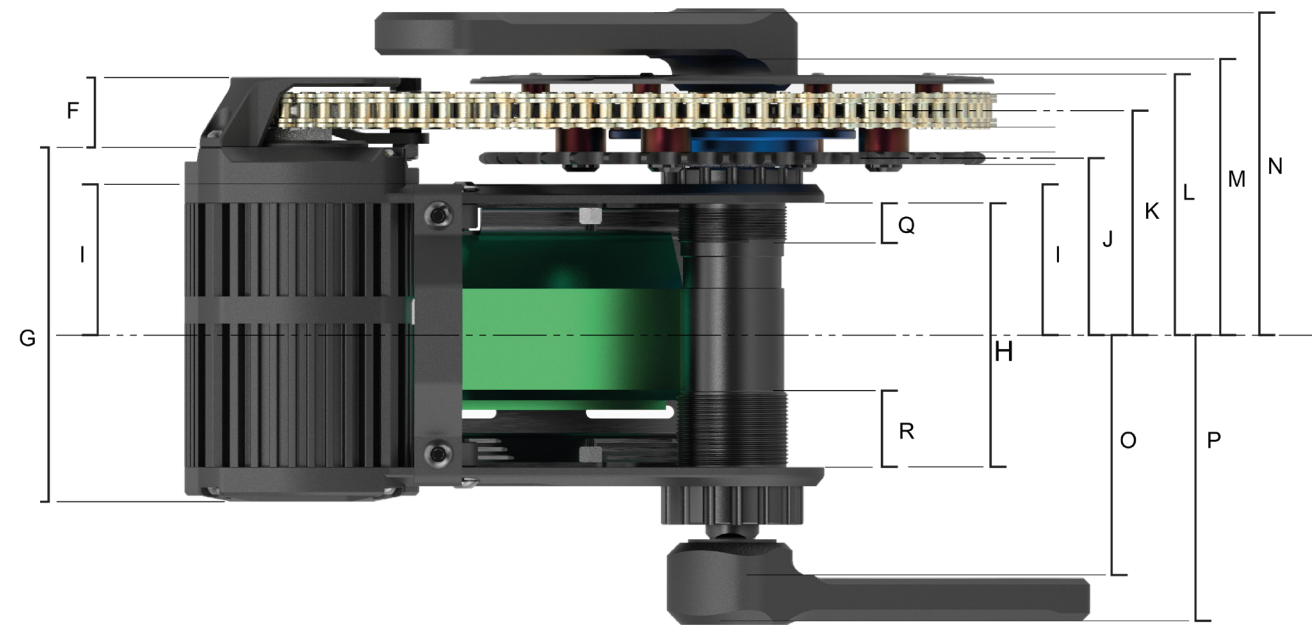
150N.m. torque



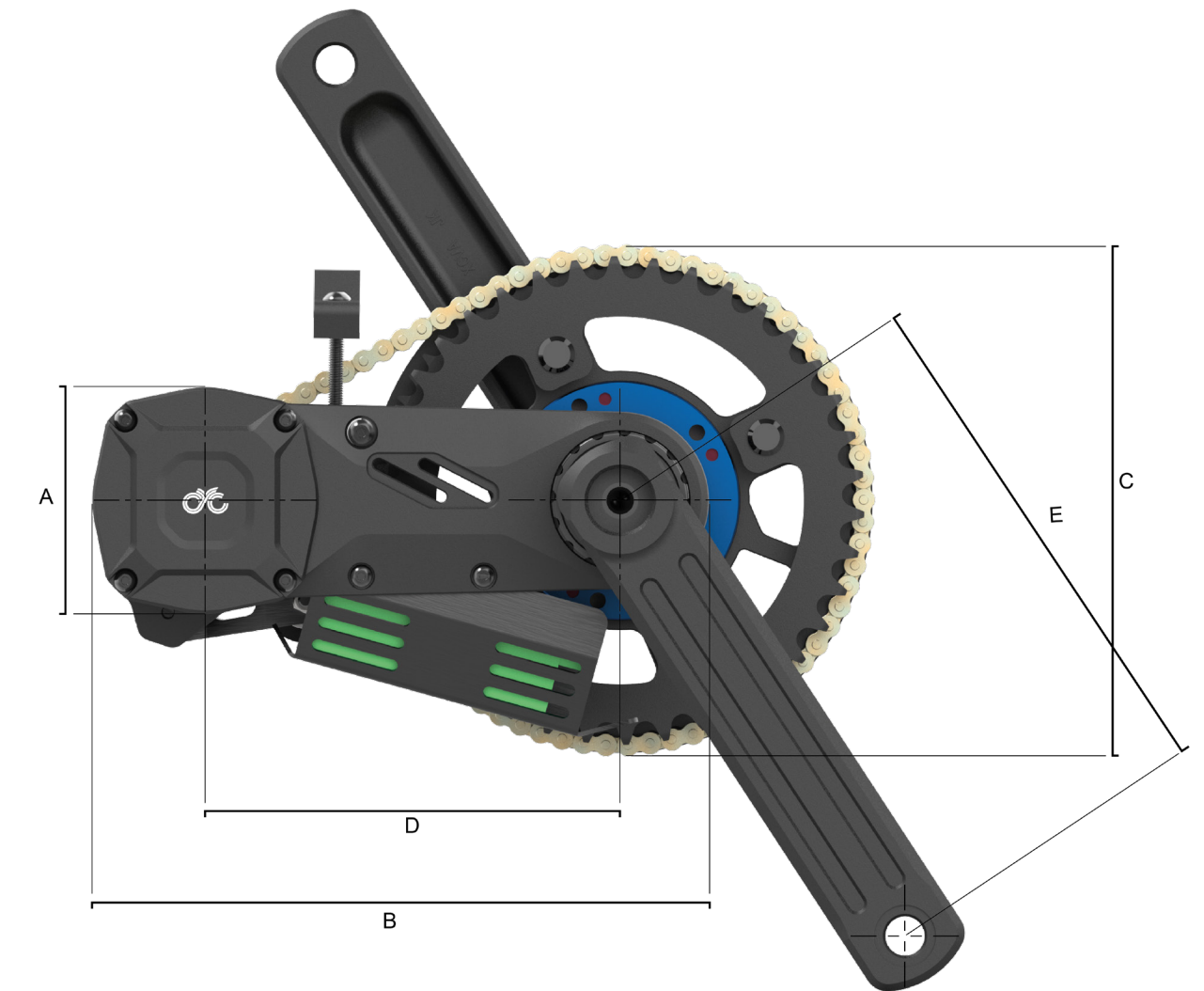
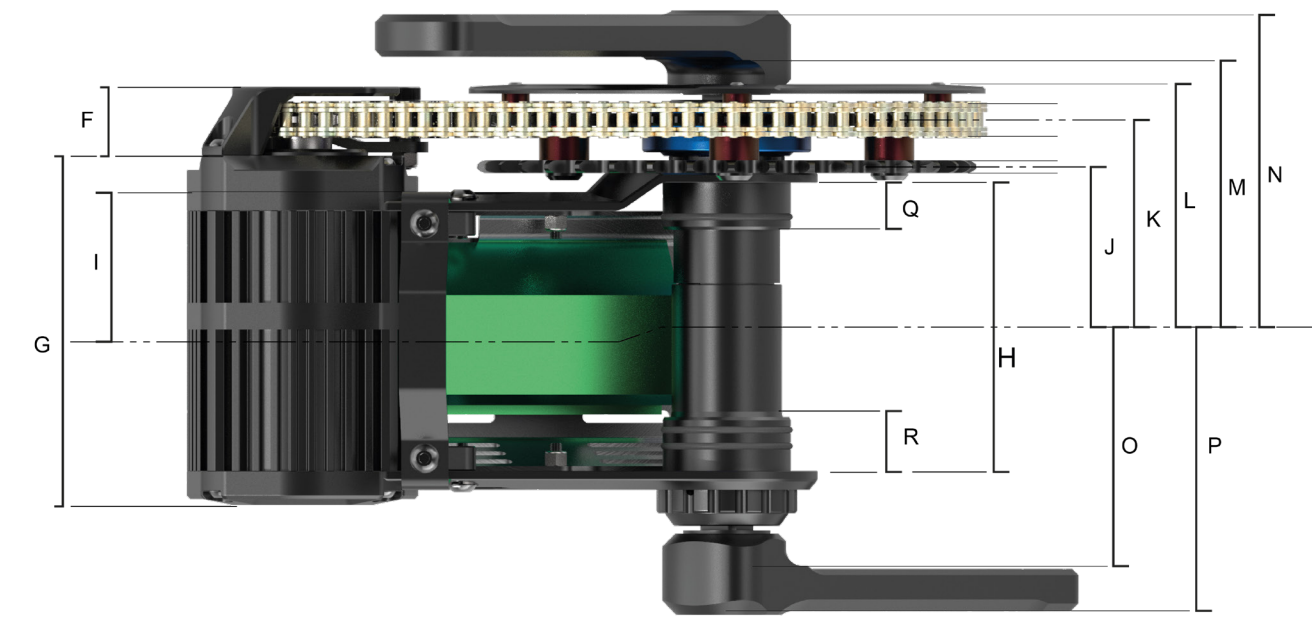
GET THE
CYC MOTOR (BAC)
MOBILE APP NOW

Specifications

BSA 83mm



BB92



	A	B	C	D	E	F	G	H	I	J	K	L	M	N	O	P	Q	R
BSA 83mm	74	202	140 or 160	136	165 or 170	22	112	83	48	56	71	82	84	99	76	90	13	24
BB92	74	202	140 or 160	136	165 or 170	22	112	92	48	52	66	78	85	100	76	91	15	19

***mm

Quick Start Guide

Scan the QR code below & download the user manuals needed



STEP 1

Install the kit using the user manuals as reference



STEP 2

Download the CYC Motor (BAC) mobile app



STEP 3

RIDE!



STEP 4